

Ultra Cycller

Quick Guide v 1.0



Instrument Installation

Lid release

- To open the lid press the release lever backwards
- Lift the lid using the handle

Handle

Exhaust

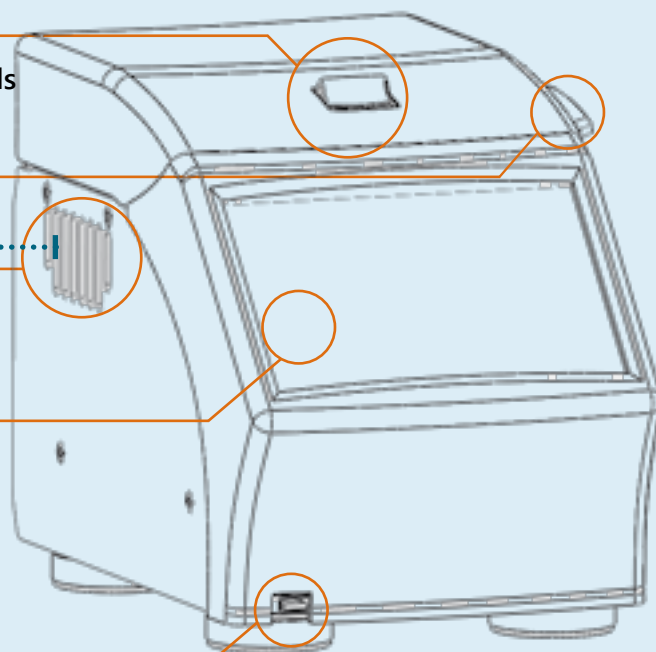
- The exhaust air vents out of the sides of the unit
- Ensure there is at least 15 cm gap on both sides

7" Touch screen

- The screen is touch sensitive.
- Only use either your finger or the stylus
- Do not use anything sharp as this will damage the touch sensitive film.

2.0 USB Port

- Insert a USB-Stick or a USB mouse



Plug the unit into a power outlet and power the unit on with the switch located on the rear of the unit. Do not worry about selecting the correct power voltage for your country, The FastGene® Ultra Cycler is designed to operate in any country in the world with no changes. The unit is also designed to be resistant to power surges and drop-outs that occur in countries with less reliable power grids.

Downloading the manual

1. On the main screen select *Configuration*

2. On the *Configuration* screen select *System Information*

3. On the *System Information* screen press *Copy Manual to USB* to download the manual

